

Endüstriyel ve Askeri Vinçler



MEDA

SAVUNMA



MEDA

SAVUNMA

Meda Savunma Teknolojileri, dünya çapında tanınmış elektrikli ve hidrolik tahrikli kurtarma vinçlerinin Türkiye distribütörüdür.





MEDA Savunma Teknolojileri, Savunma sanayi ve endüstriyel sanayi alanlarında ihtiyaç duyulan, elektrik tahrikli çekme ve kurtarma vinçleri üreten dünya çapındaki markaların Türkiye distribütörlüğünü yapmaktadır. Ülkemiz sanayisinin zırhlı araç, itfaiye aracı ve makine imalatçısı firmalarının ana tedarikçisi olma vizyonu ile 2023 yılında kurulmuştur.

Yüksek mühendislik ve Ar-GE kabiliyetlerine sahip olan MEDA, distribütörlüğünü yaptığı dünya çapındaki markaların ürettiği, elektrik tahrikli çekme ve kurtarma vinçlerinin MIL-STD ve MIL-SPEC standartlarına uygun olarak tasarım, üretim, test ve doğrulama faaliyetlerini iş ortağı şirketler ile gerçekleştirmektedir.

Kalite ve güvenden taviz vermeyen anlayışımız doğrultusunda ürünlerimiz için, sınırlı ömür boyu mekanik garanti yanı sıra, elektrik sistemleri 3 yıl garanti kapsamında olup, 10 yıl yedek parça bulundurma garantisi vermektedir.

Müşteri memnuniyetinin önemini bilerek, satış sonrası hizmetler ve Entegre Lojistik Destek (ELD) uygulamalarını sağlayabilmek için alanında uzman kadroyu da bünyesinde bulundurmaktadır.



MEDA SAVUNMA

**MILE
MARKER**
COMBAT PROVEN. CUSTOMER DRIVEN.

Mile Marker Industries, otuz yılı aşkın bir süredir faaliyet göstermektedir ve arazi araçlarına yüksek kaliteli, son derece dayanıklı, hidrolik ve elektrikli vinçler, montaj sistemleri, kilitleme göbekleri, koparma blokları, prangalar, çekme ve arma halatları, kurtarma kitleri, araç aksesuarları ve daha fazlasını sunmaktadır.

Ürünlerimiz ABD genelinde perakende mağazalarında mevcuttur ve dünya çapında bayilerimiz bulunmaktadır.

ATV veya 4 × 4'ünüz için yüksek kaliteli, son derece güvenilir, iyi test edilmiş ürünlere ihtiyacınız olduğunda, size yardımcı olması için Mile Marker'a ve profesyonel ekibimize güvenebilirsiniz.



**YOUR WINCH
YOUR WAY**

RHINO PULL 1000

PORTABLE ELECTRIC WINCH™



THE RIGHT TOOL FOR THE RIGHT JOB

The all-new Mile Marker Rhino Pull 1000 will give you the power to pull items anywhere you need to, including the garage, workshop, the farm, and the field. This ergonomically designed tool features 39' of synthetic rope, a variable speed speed hand controller, a wireless control that can work up to 50' away, and a corded remote. Featuring an LED display to provide feedback, a brushless motor with digital controlled modules, DC 24V 2.0Ah lithium battery with power indicator LED lights, AC charger 30V 2000mA, and it is lightweight at 16.8 lbs.

SPECIFICATIONS:

Rated Line Pull	1000 lbs. (454 kg)
Battery Power Supply	24V DC
Synthetic Rope	5mm X 12 m
Battery	Lithium Battery
Battery Capacity	2.0Ah
Battery Charger Input	100-240VAC 50-60 Hz 75W
Battery Charger Output	30V = 2000 mA
Dimensions	24" X 10" X 10.5" (610 mm X 256 mm X 267 mm)
Net Weight	16.8 LB (7.6 kg)
Part Number	71-1000

BENEFITS:

- Pulls or lifts up to 1000 lbs.
- 39' Synthetic Rope
- Wired and Wireless remote
- Variable speed
- 2.0Ah Rechargeable Lithium battery (Extra batteries available)
- Brushless motor
- LED display
- Wide range of accessories
- Available charging dock
- Available cigarette lighter adapter

ALL NEW MISSION SERIES

12V ELECTRIC WINCH FOR TRUCKS/SUV/JEEPS/BRONCOS

The U.S. Military has trusted our winches over three decades... *now you can too!*

FEATURES:

- Modern and customizable look (over 10 OEM colors and 4 other designs!)
- Available in 8, 10, and 12K capacities
- Fully Submersible
- Automatic load holding/ low friction brake
- Rugged heavy-duty solenoid
- 92' synthetic rope
- Aluminum hawse fairlead
- Military grade drum
- Future smart phone app compatible
- Wireless remote kit available
- Durable corrosion resistant stainless accents



FULL SPECS

	8K	10K	12K
Rated Line Pull	8000 lbs (3632 kg)	10000 lbs (4536 kg)	12000 lbs (5445 kg)
Gear Train	3 Stage planetary	3 Stage planetary	3 Stage planetary
Motor	Series wound, 4.7 hp (3.5 kw), 12 Volt, 24 Volt available	Series wound, 4.7 hp (3.5 kw), 12 Volt, 24 Volt available	Series wound, 4.7 hp (3.5 kw), 12 Volt, 24 Volt available
Remote	Power in, Power out with 12' cable (3.7 m)	Power in, Power out with 12' cable (3.7 m)	Power in, Power out with 12' cable (3.7 m)
Dimensions (LxWxH)	21.1" X 6.34" X 10.1" (535 mm X 161 mm X 255 mm)	21.1" X 6.34" X 10.1" (535 mm X 161 mm X 255 mm)	21.1" X 6.34" X 10.1" (535 mm X 161 mm X 255 mm)
Synthetic Rope	5/16" X 92' (7.9 mm X 28 m) (13,228 lb. breaking strength)	3/8" X 92' (9.53 mm X 28 m) (18,078 lb. breaking strength)	3/8" X 92' (9.53 mm X 28 m) (18,078 lb. breaking strength)
Net Weight Synthetic Rope	57.3 lbs (25.9 kg)	57.8 lbs (26.2 kg)	57.8 lbs (26.2 kg)
Drum Size Diameter X length	2.48" X 8.35" (63 mm X 212 mm), hardened	2.64" X 8.35" (67 mm X 212mm), hardened	2.64" X 8.35" (67 mm X 212 mm), hardened
Bolt Pattern	4 bolt pattern, 10" x 4.5" (254 mm X 114.3 mm)	4 bolt pattern, 10" x 4.5" (254 mm X 114.3 mm)	4 bolt pattern, 10" x 4.5" (254 mm X 114.3 mm)

MILE MARKER
COMBAT PROVEN. CUSTOMER DRIVEN.

Learn More



@MileMarkerWinch
MileMarker.com

@MileMarkerWinch



SEC Series

8000 LB. WINCH | SEC 8



SYNTHETIC CABLE 77-53141W



STEEL CABLE 77-50141W

Rated Line Pull	8000 lbs (3629 kg)
Gear Train	3 Stage planetary
Gear Ratio	150:1
Motor	Series wound, 4.9 hp (3.6 kw), 12 V 24 Volt available
Remote	Power in, Power out with 12' cable (3.7 m)
Dimensions (LxWxH)	20.8" X 6.34" X 7.86" (528 mm X 161 mm X 200 mm)
Steel Cable	5/16" X 92' (7.94 mm X 28 m) (9,800 lb. breaking strength)
Synthetic Rope	5/16" X 92' (7.94 mm X 28 m) (13,228lb. breaking strength)
Drum Size Diameter X length	2.5" X 8.3" (63 mm X 222 mm)
Net Weight Synthetic Rope	49 lbs (37 kg)
Net Weight Steel Cable	63 lbs (31.75 kg)
Bolt Pattern	4 bolt pattern, 4.5" x 10" (114.3 mm X 254 mm)

Line Pull		Line Speed		Motor Current
lb	kg	fpm	mpm	amps @ 12 V
0	0	38.1	11.6	70
2000	908	14.1	4.3	136
4000	1816	12.5	3.8	198
6000	2724	9.8	3	264
8000	3632	8.2	2.5	284



SYNTHETIC CABLE 76-53251BW



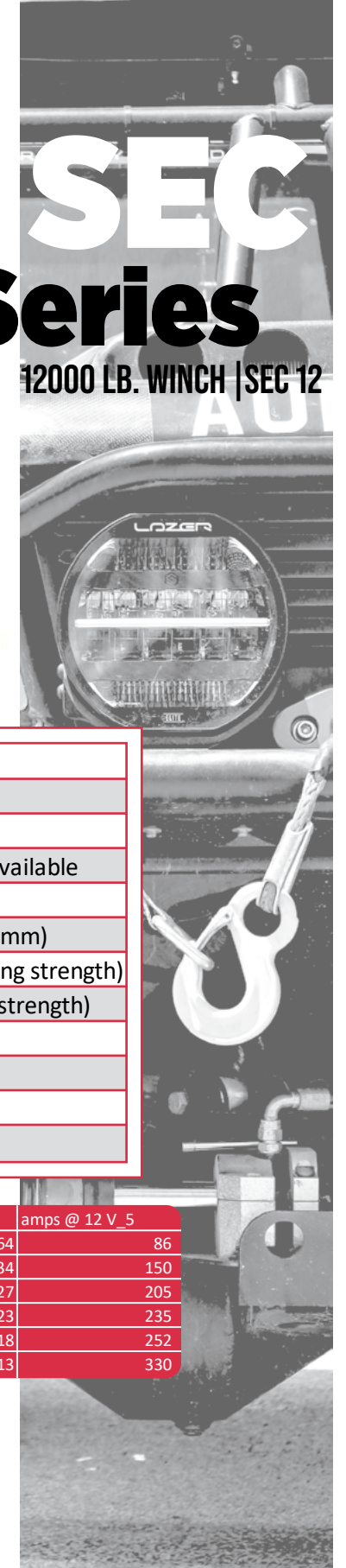
STEEL CABLE 76-50251BW

Rated Line Pull	12000 lbs (5443 kg)
Gear Train	3 Stage planetary
Gear Ratio	294:1
Motor	Series wound, 4.9 hp (3.6 kw), 12 Volt, 24 Volt available
Remote	Power in, Power out with 12' cable (3.7 m)
Dimensions (LxWxH)	20.8" X 6.34" X 7.86" (528 mm X 161 mm X 200 mm)
Steel Cable	3/8" X 100' (9.5 mm X 30.5 m) (14,400 lb. breaking strength)
Synthetic Rope	3/8" X 92' (9.5 mm X 28 m) (18,078 lb. breaking strength)
Drum Size Diameter X Length	2.6" X 8.35" (67 mm X 212 mm)
Net Weight Synthetic Rope	48 lbs (30.39 kg)
Net Weight Steel Cable	67 lbs (41.73 kg)
Bolt Pattern	4 Bolt pattern, 4.5" x 10" (114.3 mm X 254 mm)

lb	kg	fpm	mpm	amps @ 12 V	lb_1	kg_2	fpm_3	mpm_4	amps @ 12 V_5
0	0	164	5	85	0	0	21	64	86
4000	1816	88	27	160	2000	908	11	34	150
6000	2724	75	23	191	4000	1816	88	27	205
8000	3632	67	2	235	6000	2724	75	23	235
10000	4540	56	17	270	8000	3632	6	18	252
12000	5448	49	15	320	9500	4313	43	13	330

SEC Series

12000 LB. WINCH | SEC 12



SEC Series

15000 LB. WINCH | SEC 15



SYNTHETIC CABLE 76-53260W



STEEL CABLE 76-50260W



STEEL CABLE 77-50280W

SEC Series

18000 LB. WINCH | SEC 18



Rated Line Pull	15000 lbs (6803 kgs)
Gear Train	3 Stage planetary
Gear Ratio	294:1
Motor	Series wound, 6.8 hp (5 kw), 12 Volt 24 Volt available
Remote	Power in, Power out with 12' cable (3.7 m)
Dimensions (LxWxH)	22" X 6.3" X 8.3" (558 mm X 160 mm X 211 mm)
Steel Cable	25/64" X 79' (10 mm X 24 m) (16,409 lb. breaking strength)
Synthetic Rope	25/64" X 72' (10 mm X 22 m) (18,078 lb. breaking strength)
Drum Size Diameter x Length	2.9" X 8.9" (75 mm X 226 mm)
Net Weight Synthetic Rope	63 lbs (28.5 kgs)
Net Weight Steel Cable	85 lbs (38.5 kgs)
Bolt Pattern	4 bolt pattern, 4.5" x 10"

Line Pull		Line Speed		Motor Current
lb	kg	fpm	mpm	amps @ 12 V
0	0	16.7	5	120
4000	1816	12	3.7	202
6000	2724	10.5	3.2	225
8000	3632	9.2	2.8	250
10000	4540	7.9	2.4	310
12000	5448	6.6	2	355
15000	6810	5.9	1.8	420

Rated Line Pull	18000 lbs. (8164 kg)
Gear Train	3 Stage planetary
Gear Ratio	315:1
Motor	12 Volt DC, input power 7.7 hp (5.6 kw) 24 Volt available
Remote	Power in, Power out with 12' cable (3.7 m)
Dimensions (LxWxH)	26" X 8.5" X 8.5" (662 mm X 214 mm X 214 mm)
Steel Cable	1/2" X 79' (12.7 mm X 24 m) (19,505 lb. breaking strength)
Drum Size Diameter x Length	4" X 10" (101.6 mm X 254 mm)
Flange Diameter	9" (228.6 mm)
Net Weight	154 lb. (69.8 kg)
Bolt Pattern	8 bolt pattern Outer 6.5" X 12" (165 mm X 304.8 mm) Inner 4.5" X 12" (114.3 mm X 304.8 mm)

Line Pull		Line Speed		Motor Current
lb	kg	fpm	mpm	amps
		(12V)	(12V)	@ 12 V
0	0	23.6	7.2	68
8000	3632	9.2	2.8	282
10000	4540	4.9	1.5	310
12000	5448	3.9	1.2	378
18000	8172	2.6	0.8	469



Hydraulic Series



12000 LB. HYDRAULIC WINCH | HI12000 75-52000C

Gear Train	Planetary
Gear Ratio	"6:1"
Motor	19.5 Cubic Inch
Control Pendant	Illuminated Joystick Remote, 12'
Cable	3/8" X 100' (nominal 14,400 lbs) (9.53 mm X 30.5 m)
Dimensions	22.5" X 7.8"
Drum Size	2.5" X 9" (63.5 mm X 228.6 mm)
Net weight	110 lbs (50 kgs)
Bolt Pattern	4 Bolt Pattern, 4.5" X 10", (114.3 mm X 254 mm)
Power Steering Min. Requirements	3.5 GPM @ 1500 psi (13.25 L/m @ 103.4 bars)

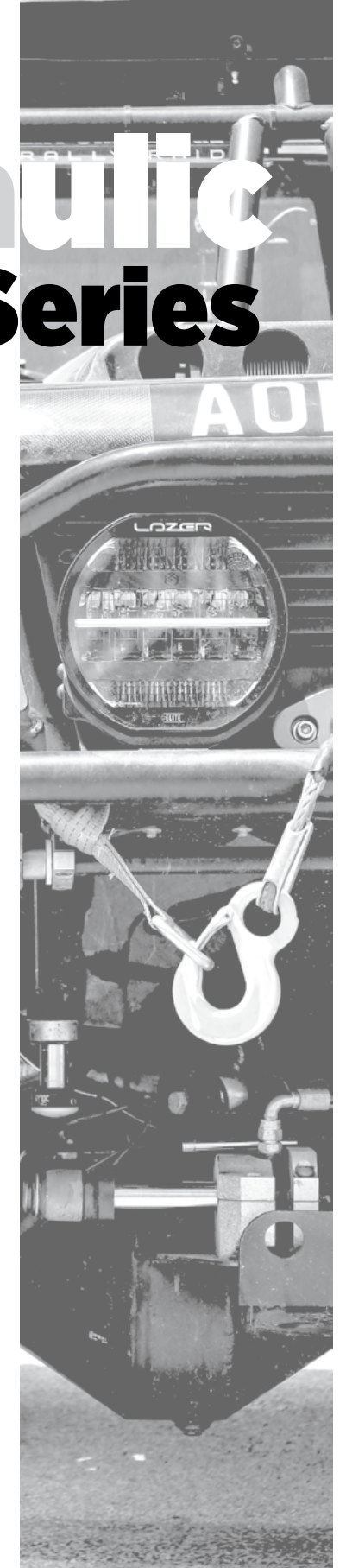
Layers of Cable	"1"	"2"	"3"	"4"
Line speed-low gear (FPM)	"5.65"	"6.43"	"7.41"	"8.58"
Rated pull (lbs.)	"12,000"	"9,400"	"8,200"	"7,000"
Line speed-high gear (FPM)	"31"	"36"	"42"	"48"
Rated pull (lbs.)	"2,000"	"1,550"	"1,350"	"1,150"



18000 LB. HYDRAULIC WINCH | H18000 70-58010C

Part Number	70-58010C
Rated line pull	18,000 lbs (8164 kgs)
Gear Train	Planetary, Hardened Steel Gear
Gear Ratio	"36:1"
Motor	7.6 C.I (124.9 CC)
Dimensions (LxWxH)	25.8" X 8.4" X 9.96" (656 mm X 214 mm X 245 mm)
Cable Size	75' X 0.5" (22 m X 127 mm) Nominal Break Strength = 26,600 lbs.
Drum Size	4.0" X 9.95" (102 mm X 253 mm)
Net weight	158.7 lbs. (72 kgs)
Bolt Pattern (Outer)	6.5" X 12" (165 mm X 304.8 mm) Outer
Bolt Pattern (Inner)	4.5" X 12" (114.3mm X 304.8 mm) Inner
Complying Standards	SAE J706

Hydraulic Series





WINCHMAX'ta hepimiz vinç tutkunlarıyız ve çoğu eğlence ve endüstriyel kullanıcının ihtiyaçlarına uygun bir vinç yelpazesi sunarak Birleşik Krallık'ın önde gelen markalarından biri haline geldik.

Ancak bu, özel gereksinimlerinize uygun bir şey bulamazsanız size yardımcı olamayacağımız anlamına gelmez. Amacımız her zaman size en kaliteli, iyi tasarlanmış ve tam destekli vinç ürünlerini sunmak olmuştur.



WINCHMAX

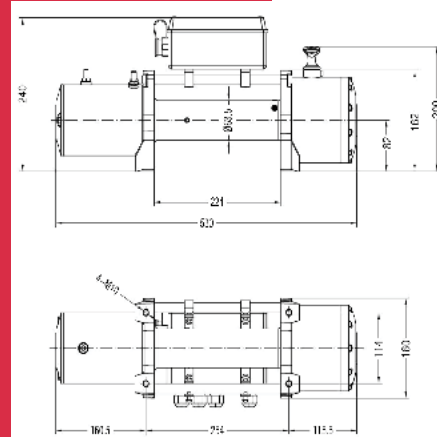
YOUR POTENTIAL

Industrial Series



13,500LB (6,123KG) ORIGINAL ORANGE
12V ELECTRIC WINCH

Single Line Rated Pull	13,500lb (6,123kg)
Motor	6.8hp (5.1kw) SeriesWound
Control	Two wireless remotes and one tethered control on 4.5m lead.
Gear Train	3-Stage Planetary
Gear Ratio	265:1
Clutch	Sliding Ring Gear
Brake	Automatic in the drum
Drum Size	Diameter 2.5" (63.5mm) Length 8.8" (224mm)
Motor Current	65-500A
Recommended Battery	650CCA Minimum for Winching
Battery Leads	2 gauge, 1.83m (72") 25mm ² – 5.6mm diameter
Finish	Textured Orange
Weight	88lb (40kg)
Mounting Bolt Pattern	10.00" x 4.50" (254 x 114.3mm)
Overall Dimension	L 530 x W 160 x H 240 mm
Waterproof	IP67 Rating



Layers of Cable		1	2	3	4
Rated Line Pull per Layer	lb	13,5	10,01	8,84	7,41
	kg	6,123	4,54	4,009	3,361
Cumulative Cable Capacity	ft	204	41	71	85
	m	622	12	21	24

Line Pull	lb	0	3	6	9	13,5
	kg	0	1,363	2,727	4,09	6,123
Line Speed	ft/min	246	1148	886	722	558
	m/min	75	35	27	22	17
Motor Current	amps	70	138	218	260	415

WM1350012V | QUICK CODE : 1012

Industrial Series



17,000LB (7,711KG) ORIGINAL ORANGE
12V ELECTRIC WINCH

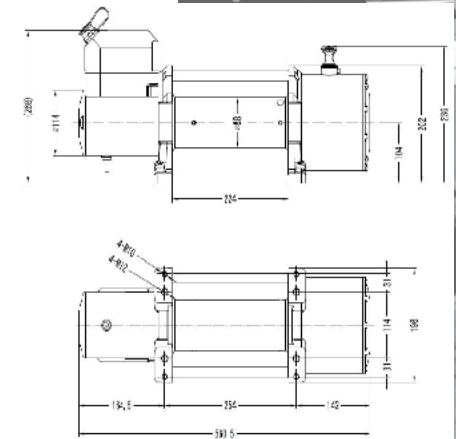


Single Line Rated Pull	17,000lb (7,711kg)
Motor	6.8hp/5.1kw, series wound
Control	Two wireless remotes and tethered control on 4.5m lead.
Gear Train	3-Stage Planetary
Gear Ratio	358:1
Clutch	Sliding Ring Gear
Brake	Automatic in the drum
Drum Size	3.5" (88mm) x 8.8" (224mm)
Motor Current	65-550A
Recommended Battery	650CCA Minimum for Winching
Battery Leads	2 gauge, 1.83m (72") 35mmsq – 6.5mm Diameter
Finish	Textured Orange
Weight	132.0lb (60kg)
Mounting Bolt Pattern	10.00" x 4.50" (254 x 114.3mm)
Overall Dimension	22.0" x 7.7" x 10.5" (560.5 x 196 x 268mm)
Waterproof	IP67 rated

Rated Line pull per layer	Layers Of Cable	1	2	3	4
	lb	17	15514	12965	11016
	kg	7727	7037	5877	5336
Cumulative cable capacity	ft	204	354	596	853
	m	62	108	182	26

Line Pull	lb	No Load	4	8	15	17
	kg	No Load	1814	3629	6818	7727
Line Speed	ft/min	23.62	93	6	33	295
	m/min	7.3	28	18	10	9
Motor Current	Amps	68	155	235	435	520

WM1700012VR | QUICK CODE : 1028



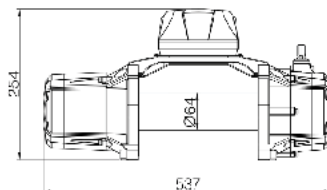
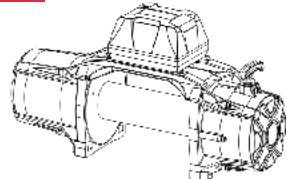
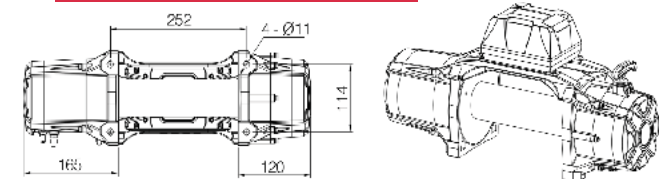


SL Series

WINCHMAX

13,500LB (6,123KG) 'SL SERIES'
24V MILITARY GRADE WINCH

Single Line Rated Pull	13,500lb (6,123kg)
Motor	6.8hp (5.1kw) Series Wound
Remote Control	Integrated wireless and wired remote Included
Gear Train	3-Stage Planetary
Gear Ratio	265:1
Clutch	Sliding Ring Gear
Brake	Automatic in the drum
Drum Size	Diameter 2.5" (64mm) Length 10.0" (252mm)
Motor Current	65-500A
Recommended Battery	750CCA Minimum for Winching
Battery Leads	2 gauge, 1.83m (72") 25mm ² – 5.6mm diameter
Finish	Textured Orange
Weight	88lb (40kg)
Mounting Bolt Pattern	10.00" x 4.50" (254 x 114.3mm)
Overall Dimension	L 537 x W 162 x H 254 mm
Waterproof	IP67 Rating



Rated Line Pull per Layer	Layers Of Cable	1	2	3	4
lb		135	953	7929	677
kg		6124	4332	3604	3077
Cumulative Cable Capacity					
ft		18	37	64	98
m		654	114	194	30

Line Pull	lb	0	3	6	9	135
kg		0	1363	2727	409	6124
Line Speed						
ft/min		246	1148	886	722	558
m/min		75	35	27	22	17
Motor Current						
amps		70	138	218	260	350

WMSL1350024VMILSPECYN | QUICK CODE : 1311

SL Series

WINCHMAX



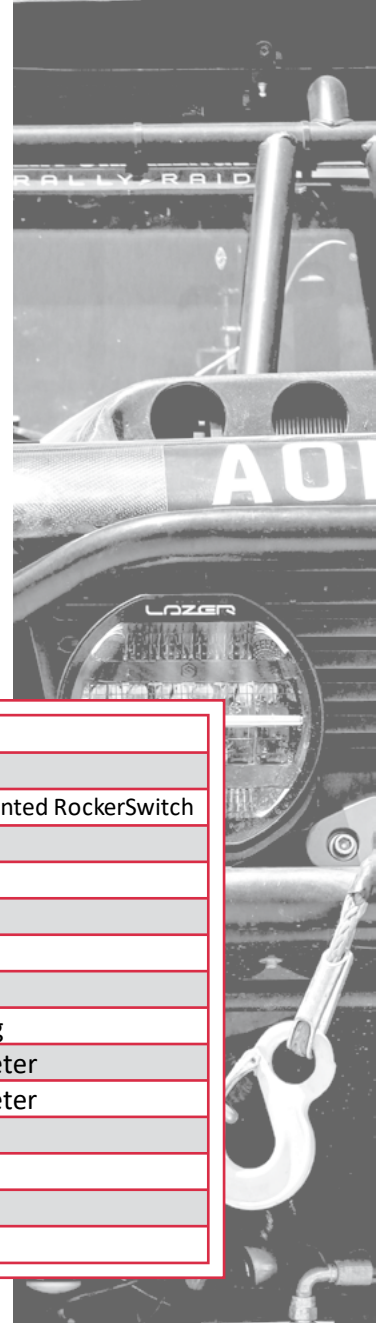
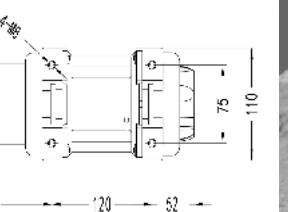
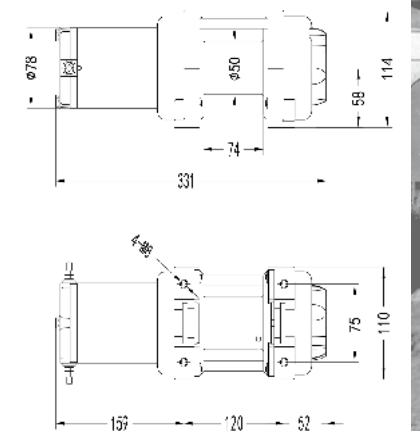
3,000LB (1,361KG) 24V MILITARY
GRADE WINCH

Single Line Rated Pull	3,000lb (1,361kg)
Motor	12v 1.5hp Permanent Magnetic Motor
Control	Twin Wireless Remote in/out Plus Handlebar-Mounted RockerSwitch
Gear Train	3 Stage Planetary
Gear Reduction Ratio	136:1
Clutch	Cam Activated Free Spool
Braking Action	Automatic in the drum
Drum Size	Diameter 50mm (2.00") length 74mm (2.9")
Battery	Recommended 12Ah Minimum for Winching
Battery Leads (x2)	6 gauge, 1.7m (67") 15mmsq - 4.2mm diameter
Motor Leads (x2)	6 gauge, 0.9m (36") 15mmsq - 4.2mm diameter
Overall Dimensions	331 x 110 x 114 mm (LxWxH)
Mounting Bolt Pattern	120 x 75 mm
Motor Current	15-200A
No Load Line Speed	8.3m/min (27.2 ft/min)

Layer Rated	Line pull (lb)	Line Pull (kg)
1	3	1361
2	2561	1162
3	2234	1013
4	1981	899
5	1779	807

Line Pull (lb/kg)	Line Speed ft/min (m/min)	Motor (Amps)
0 (0)	27ft (8.3m)	15
500 (227)	20ft (6.1m)	40
1,000 (454)	16ft (4.9m)	60
2,000 (907)	9ft (2.7m)	130
3,000 (1,361)	5ft (1.5m)	190

WM300024VSSMILSPEC | QUICK CODE : 1045



Hydraulic Series



20,000LB (9,072KG) HYDRAULIC WINCH

Single line rated pull	20,000lb (9,072kg)
Motor	Hydraulic
Gear train	3 Stage Planetary
Gear reduction ratio	32:1
Clutch	Sliding Ring Gear
Braking Action	Automatic
Drum size	Diameter 88mm Length 222mm
Cable	25m x 14mm Galvanized Steel Wire Rope
Hook	Clevis hook 1/2 Inch, Zinc Plated.
Fairlead	4-Way Roller Fairlead
Flow	50-60 L/min
Pressure	10.8Mpa (108 Bar)
Finish	Orange/Black
Weight (GW)	70kg (154lb)
Overall Dimensions	548 x 196 x 249mm (LxWxH)
Mounting Bolt Pattern	10.00" ±0.015" x 4.50" ±0.010" (254 x 114.3mm)
Pressure Hose Connections	18mm/1.5mm
No Load Line Speed	6.5m/min (21.3 ft/min)

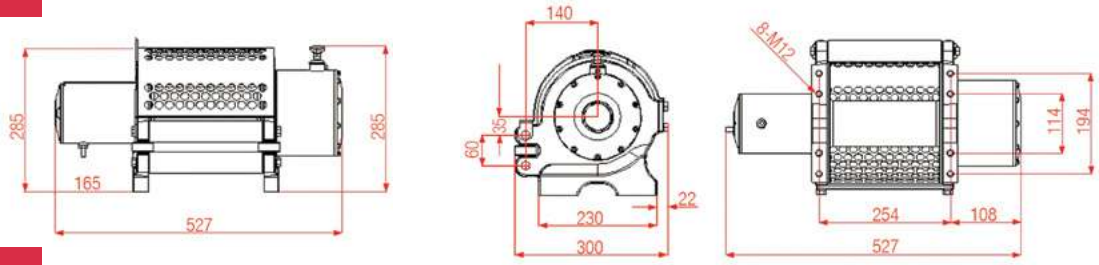
Hydraulic Series



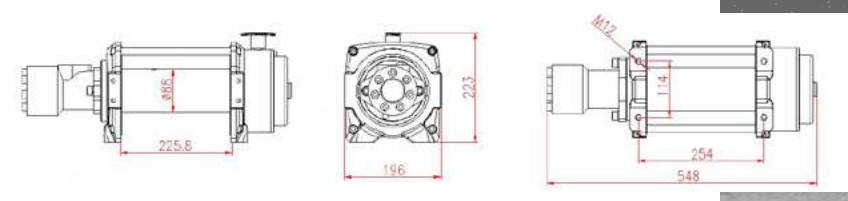
10000LB (4,536KG) HYDRAULIC WINCH



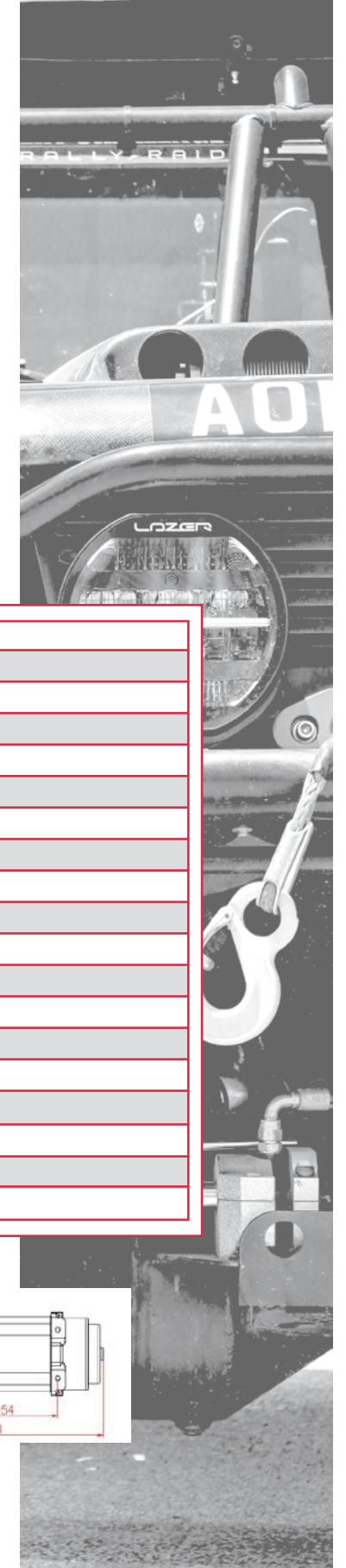
Single Line Rated Pull	10,000lb (4,536kg)
Motor	Hydraulic
Control	NOT SUPPLIED
Gear Train	3 Stage Planetary
Gear Reduction Ratio	"32:1"
Clutch	Sliding Ring Gear
Braking Action	Automatic
Drum Size	Diameter 88mm Length 222mm
Drum Finish	Black, painted.
Cable	25m x 10mm Galvanized Steel Rope
Hook	Clevis Hook 3/8 Inch, Zinc Plated.
Fairlead	4-Way roller fairlead
Flow	50-60 L/min
Pressure	10.8Mpa (108 Bar)
Winch Finish	Original Orange Powder Coated
Weight (GW)	54kg (123lb)
Overall Dimensions (LxWxH)	548 x 196 x 249mm
Mounting Bolt Pattern	10.00" ±0.015" x 4.50" ±0.010" (254 x 114.3mm)
No Load Line Speed	6.5m/min (21.3 ft/min)



WM20000HYDZ-NC | QUICK CODE : 1038



WM10000HYD-NC | QUICK CODE : 1001





DRAGON WINCH, dünya çapında faaliyet gösteren en büyük Polonyalı vinç üreticisidir. DRAGON WINCH markası, sınıfında lider olarak kabul edildiği Avrupa pazarında tanınmakta ve takdir edilmektedir.

Şirket, Jerzy Woźnicki ve Waldemar Tomankiewicz'in işbirliğine başlamaya karar verdikleri 1990'ların ortalarına dayanan geleneğiyle gurur duyuyor. Avrupa teknolojisini Polonya hayal gücü ve çalışkanlığı ile birleştirerek, Müşterilerimize profesyonellerin beklentilerini karşılamayı ve meraklıların ihtiyaçlarını karşılamayı başaran en kaliteli ürünleri sunuyoruz.



UNLIMITED TECHNOLOGY

DWT Series



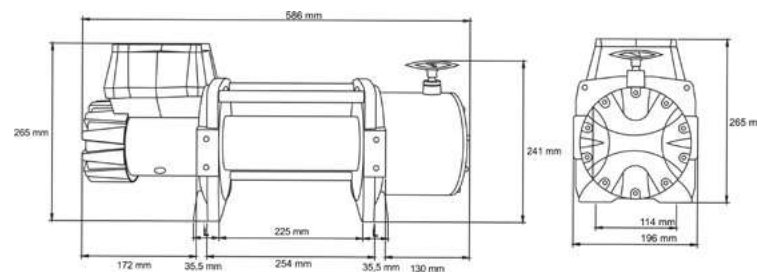
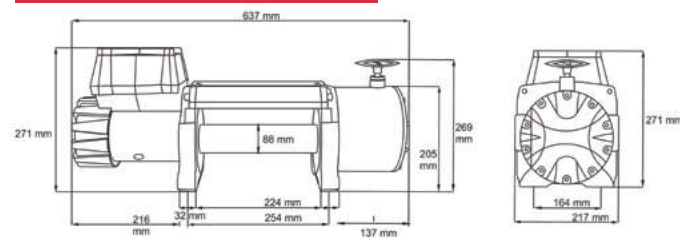
DWT 22000 HD



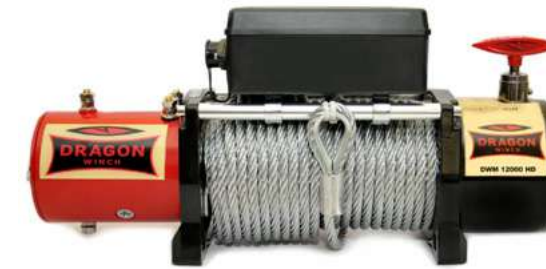
DWT 18000 HD

Dedicated for	Off-road vehicles, tow trucks/ industrial vehicles
Voltage	12 V or 24 V
Motor	6,8 hp
Pulling rate	13000 lb / 5897 kg
Gear	3 stage planetary
Reduction	"463:1"
Brake	Dynamic
Length of the wire rope	30 m.
Length of the synthetic rope	30 m.
Overall size (LxWxH)	537 mm x 159 mm x 246 mm
Weight	43 kg
Screws	8
Spacing of mounting screws	254 mm x 114 mm / 254 mm x 164 mm

Dedicated for	Off-road vehicles, tow trucks / industrial vehicles
Voltage	24 V
Motor	9,0 hp
Pulling rate	18000 lb / 8165 kg
Gear	3 stage planetary
Reduction	358:1
Brake	Dynamic
Length of the wire rope	31 m.
Length of the synthetic rope	21 m
Overall size (LxWxH)	586 mm x 196 mm x 265 mm
Weight	63 kg
Screws	"4"
Spacing of mounting screws	254 mm x 114 mm



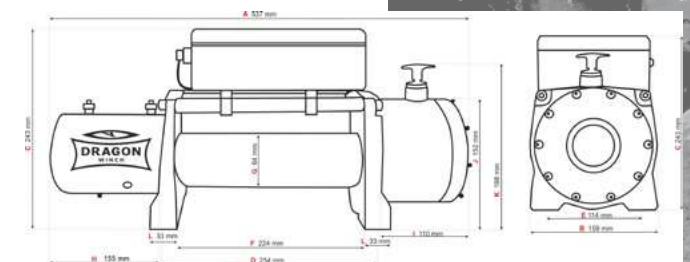
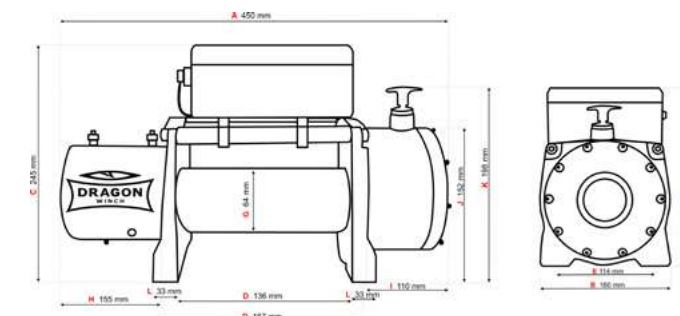
DWM 10000 HD



DWM 12000 HD

Dedicated for	Off-road vehicles, tow trucks/ industrial vehicles
Voltage	12 V
Motor	6,8 hp
Pulling rate	10000 lb / 4536 kg
Gear	3 stage planetary
Reduction	"265:1"
Brake	Dynamic
Length of the wire rope	24 m.
Length of the synthetic rope	25 m
Overall size (LxWxH)	450 mm x 159 mm x 243mm
Weight	35 kg
Screws	"4"
Spacing of mounting screws	164 mm x 114 mm

Dedicated for	Off-road vehicles, tow trucks/ industrial vehicles
Voltage	12 V
Motor	6,8 hp
Pulling rate	12000 lb / 5443 kg
Gear	3 stage planetary
Reduction	"265:1"
Brake	Dynamic
Length of the wire rope	30 m
Length of the synthetic rope	30 m
Overall size (LxWxH)	537 mm x 159 mm x 257 mm
Weight	42 kg
Screws	"4"
Spacing of mounting screws	254 mm x 114 mm



DWM Series



DWH Series



Hydraulic Series



DWH 9000 HD



DWH 15000 HD



DWHI 15000 HD



DWHI 16000 HD

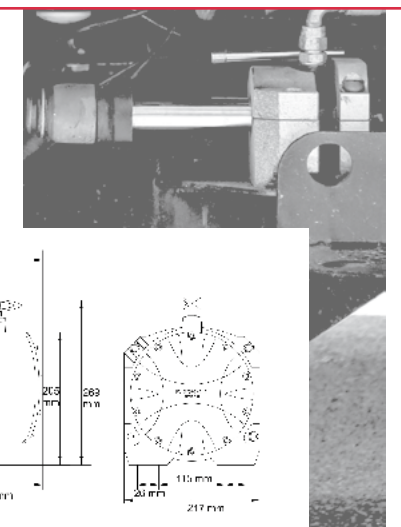
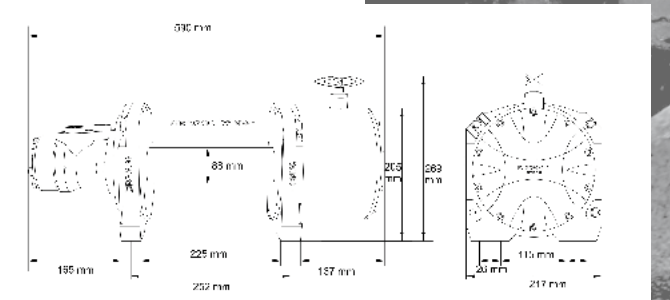
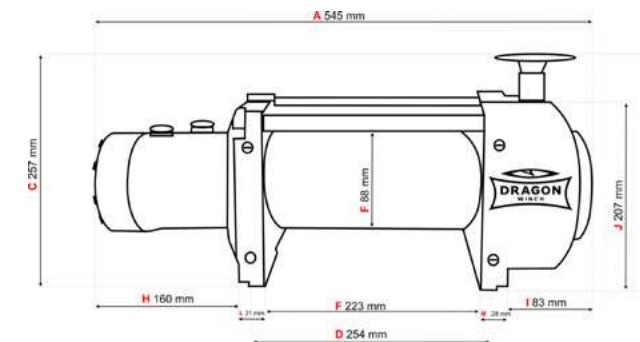
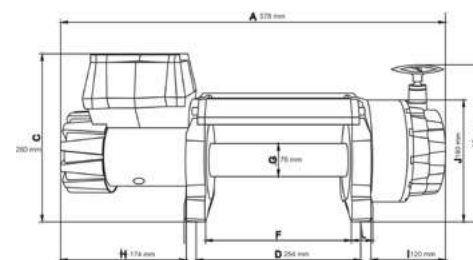
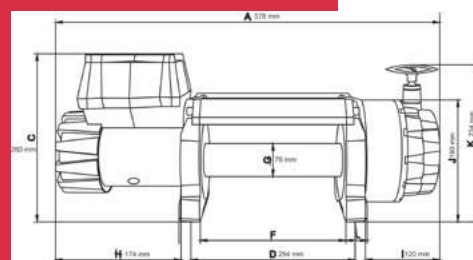


Dedicated for	Off-road vehicles
Voltage	12 V
Motor	9 hp
Pulling rate	9000 lb / 4082 kg
Gear	3 stage planetary
Reduction	"140:1"
Brake	Dynamic
Length of the wire rope	28 m
Length of the synthetic rope	30 m
Overall size (LxWxH)	578 mm x 175 mm x 260 mm
Weight	46 kg
Screws	"4"
Spacing of mounting screws	254 mm x 114 mm

Dedicated for	Off-road vehicles
Voltage	12 V
Motor	9 hp
Pulling rate	15000 lb / 6803 kg
Gear	3 stage planetary
Reduction	"274:1"
Brake	Dynamic
Length of the wire rope	28 m
Length of the synthetic rope	21 m
Overall size (LxWxH)	578 mm x 175 mm x 260 mm
Weight	53 kg
Screws	"4"
Spacing of mounting screws	254 mm x 114 mm

Dedicated	Special trucks, tow trucks/ industrial trucks
Voltage	hydraulic
Pulling rate	15 000 lb/ 6 803 kg
Gear	2 stage planetary
Reduction	"25:1"
Brake	dynamic
Length of the wire rope	28 m
Weight	66 kg
Spacing of mounting screws	254 mm x 114 mm
Max.pressure of oil	14,5 Mpa
Overall size	520 mm x 186 mm x 240 mm
Complying Standards	SAE J706

Dedicated	Special trucks, tow trucks/ industrial trucks
Voltage	Hydraulic
Weight	72 kg
Max.pressure of oil	17,5 Mpa
Max.oil flow	60l/min
Capacity of the drum	31 m
Diameter of the wire rope	11 mm
Number of rope layers	"4"
Overall size	590mmx269mmx217mm



Çekme Vinci Aksesuarları

Yüksek Güç, Güvenilir Performans

Gelişen teknoloji ve endüstriyel taleplerle birlikte, ağır yüklerin taşınması ve çekilmesi konusunda çekme vinçleri vazgeçilmez birer çözüm sunmaktadır. Bu güçlü makinelerin etkin ve güvenli bir şekilde çalışabilmesi için çeşitli aksesuarlar kullanılmaktadır

Çekme ve kurtarma vinç aksesuarları, askeri ve endüstriyel alanlarda güçlü ve etkin çekme işlemleri için vazgeçilmezdir. Yüksek kalite standartlarına uygun olarak üretilen bu aksesuarlar, çekme vinçlerini daha verimli, güvenilir ve güvenli hale getirir, endüstriyel operasyonlarda kritik bir rol oynar.



ACCESSORIES

TECHNOLOGY

Snatch Blocks



WMSB8



60-50185



D-SB3

Fairleads



WMALUHAWSEMILSPEC



19-53000



D-FL2

Shackles



WMSB8



60-65000C



D-SH4

Roller Fairleads



WMRSS



WH-4



D-RFL2

Hooks



WMHKEBLK



19-50042B



WMHKEBLK

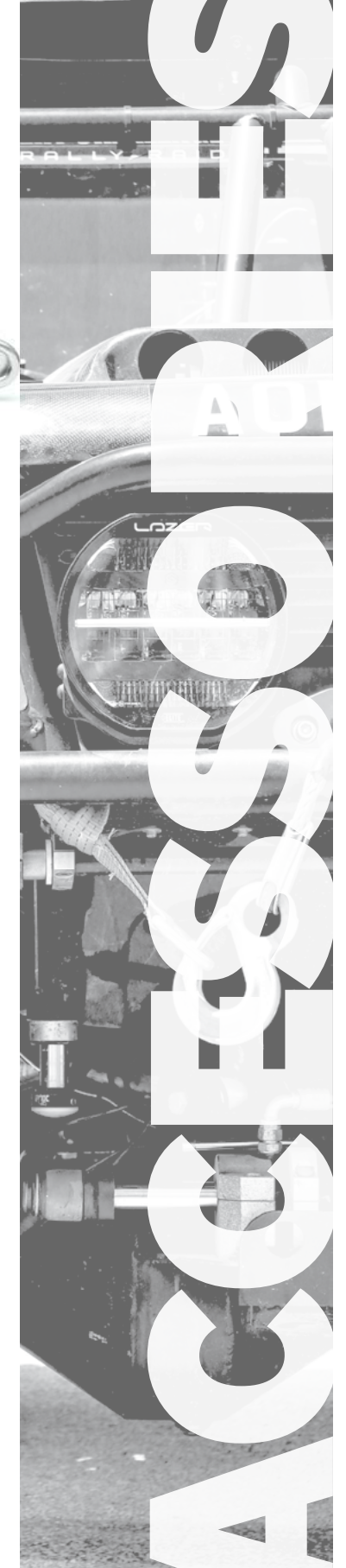
Kits



19-00100



D-B44





MEDA

SAVUNMA





MEDA SAVUNMA

www.medasavunma.com.tr